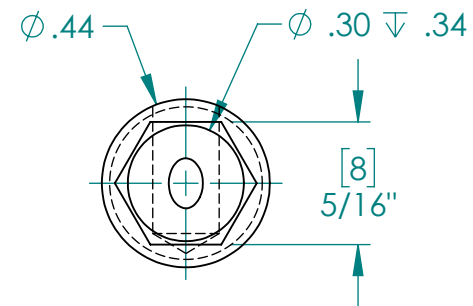
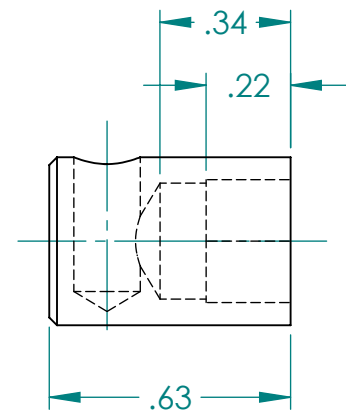
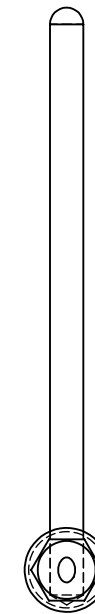
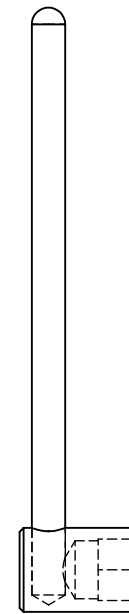
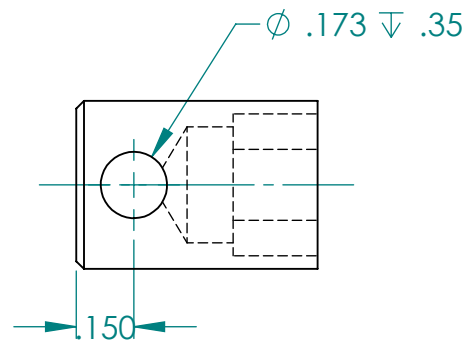
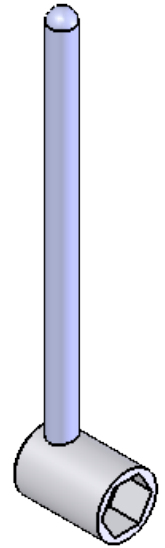
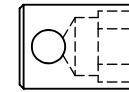




$\phi .174$



DRAWN BY DWF DATE 2/22/17		DWF DWF GUITARS DWF.GUITARS@GMAIL.COM	
UNLESS OTHERWISE SPECIFIED ALL DIMENSION ARE IN INCHES.		PROJECT:	
TOLERANCES: .XX ±.01 .XXX ±.005 FRACTIONS ±1/64 ANGLES ±1°		TITLE: YAMAHA 8MM TRUSS ROD WRENCH	
CONFIDENTIAL THIS DOCUMENT IS THE CONFIDENTIAL PROPERTY OF DWF GUITARS AND IS NOT TO BE REPRODUCED, USED OR DISCLOSED BY ANYONE WITHOUT THE EXPRESS WRITTEN PERMISSION OF DWF GUITARS		SIZE	REV
		B	DWG No. _____ SCALE: 1:1 SHEET: 1 of 1